

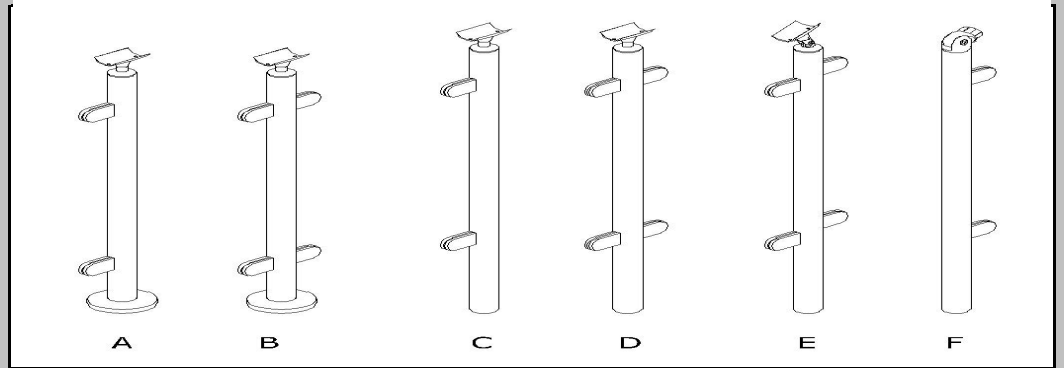
D.I.Y

SUSPENDED GLASS BALUSTRADING

POWDER COATED

(Black / White / Bronze)

STANCHIONS & TUBING		PRICE	QTY	TOTAL
A	LANDING: WELDED BASE START / END (2 clamps)	R 362.00		R -
B	LANDING: WELDED BASE INTERMEDIATE (4 clamps)	R 524.00		R -
C	LANDING :NO BASE – START / END (2 clamps)	R 293.00		R -
D	LANDING :NO BASE – INTERMEDIATE (4 clamps)	R 439.00		R -
E	STAIRCASE :NO BASE INTERMEDIATE (4 clamps)	R 470.00		R -
F	STAIRCASE :NO BASE BOTTOM STEP (2 clamps)	R 345.00		R -
G	CNR 90 Deg welded (4 clamps)	R 595.00		R -
H	CNR Hinged Vaiable (4 clamps)	R 555.00		R -
I	50mm Top rail tube (Per meter)	R 91.00		R -
z	Stair case top step (2 clamps)	R 306.00		R -



EXTRAS		COST	QTY	TOTAL
J	ADJUSTABLE BASE & COVER PLATE	R 71.00		R -
K	SIDE MOUNT BRACKET	R 102.00		R -
L	Ø50mm, 90° WELDED CORNER (sleeved)	R 88.00		R -
M	Ø50mm HINGE (nylon fiber)	R 68.00		R -
N	Ø19mm HINGE (nylon fiber)	R 17.00		R -
O	Ø19mm, 90° RADIUS BEND	R 29.00		R -
P	END STOP (nylon fiber)	R 15.00		R -
Q	WALL BRACKET	R 37.00		R -
R	Ø50mm JOINER SLEEVE	R 15.00		R -
S	Ø19mm JOINER SLEEVE	R 4.00		R -
T	HANDRAIL BRACKET & COVER WASHER	R 43.00		R -
U	COVER PLATE	R 29.50		R -
X	Handrail to stanchion Bracket	R 48.00		R -
				R -

CUSTOMER DETAILS	
Name	
Phone Number	
Email & Fax	
Installation Address	

INSTALLATION, ACCESSORIES & DELIVERY				
V	ANCHOR STUDS (set of 3)	R 15.00		R -
W	CHEMICAL ADHESIVE	R 206.00		R -
	CONTRACTOR LABOUR			
	DELIVERY			

STANCHIONS, TUBING & EXTRAS					
EX VAT	R	-	14% VAT	R	-
		TOTAL	R		

INSTALLATION, ACCESSORIES & DELIVERY (OPTIONAL)					
EX VAT	R	-	14 % VAT	R	-
		TOTAL	R		

D.I.Y

BALUSTRADING - HORIZONTAL RAILS

NATURAL ANODISED

STANCHIONS & TUBING				3 RAILS	QTY	TOTAL	4 RAILS	QTY	TOTAL	5 RAILS	QTY	TOTAL	7 RAILS	QTY	TOTAL	
A	LANDING : START / END (single hole)	R	236.00		R	-	R	262.00		R	-	R	288.00		R	-
B	LANDING : INTERMEDIATE (double hole)	R	242.00		R	-	R	270.00		R	-	R	298.00		R	-
C	STAIRCASE :NO BASE INTERMEDIATE(d/hole)	R	228.00		R	-	R	256.00		R	-	R	284.00		R	-
D	STAIRCASE :NO BASE BOTTOM STEP (s/hole)	R	253.00		R	-	R	279.00		R	-	R	305.00		R	-
E	LANDING :NO BASE – START / END (s/hole)	R	193.00		R	-	R	219.00		R	-	R	245.00		R	-
F	LANDING :NO BASE – INTERMEDIATE (d/hole)	R	199.00		R	-	R	227.00		R	-	R	255.00		R	-
G	SET OF RAILS PER LINEAR METRE	R	155.00		R	-	R	179.00		R	-	R	203.00		R	-
H	Ø19mm TUBE PER LENGTH OF 6m	R	144.00		R	-	4 RAIL SYSTEM			5 RAIL SYSTEM			7 RAIL SYSTEM			
I	Ø50mm TUBE PER LENGTH OF 1m	R	83.00		R	-										

EXTRAS	COST	QTY	TOTAL
J ADJUSTABLE BASE & COVER PLATE	R 63.00		R -
K SIDE MOUNT BRACKET	R 92.00		R -
L Ø50mm, 90° WELDED CORNER (sleeved)	R 78.00		R -
M Ø50mm HINGE (nylon fiber)	R 68.00		R -
N Ø19mm HINGE (nylon fiber)	R 17.00		R -
O Ø19mm, 90° RADIUS BEND	R 22.00		R -
P END STOP (nylon fiber)	R 15.00		R -
Q WALL BRACKET	R 32.00		R -
R Ø50mm JOINER SLEEVE	R 15.00		R -
S Ø19mm JOINER SLEEVE	R 4.00		R -
T HANDRAIL BRACKET & COVER WASHER	R 38.00		R -
U COVER PLATE	R 22.00		R -
z Top Rail to Stanchion Bracket	R 46.00		R -
			R -

CUSTOMER DETAILS			
Name			
Phone Number			
Email & Fax			
Installation Address			

STANCHIONS, TUBING & EXTRAS			
EX VAT	R	-	
14% VAT	R	-	
TOTAL	R	-	

INSTALLATION, ACCESSORIES & DELIVERY			
V ANCHOR STUDS (set of 3)	R	15.00	R -
W CHEMICAL ADHESIVE	R	206.00	R -
CONTRACTOR LABOUR			
DELIVERY			

INSTALLATION, ACCESSORIES & DELIVERY (OPTIONAL)			
EX VAT	R	-	
14% VAT	R	-	
TOTAL	R	-	

D.I.Y

BALUSTRADING - HORIZONTAL RAILS

POWDER COATED

(Black / White / Bronze)

STANCHIONS & TUBING				3 RAILS	QTY	TOTAL	4 RAILS	QTY	TOTAL	5 RAILS	QTY	TOTAL	7 RAILS	QTY	TOTAL	
A	LANDING : START / END (single hole)	R	267.00		R	-	R	295.50		R	-	R	324.00		R	-
B	LANDING : INTERMEDIATE (double hole)	R	273.00		R	-	R	305.50		R	-	R	334.00		R	-
C	STAIRCASE :NO BASE INTERMEDIATE(d/hole)	R	251.50		R	-	R	285.50		R	-	R	312.50		R	-
D	STAIRCASE :NO BASE BOTTOM STEP (s/hole)	R	276.50		R	-	R	305.00		R	-	R	333.50		R	-
E	LANDING :NO BASE – START / END (s/hole)	R	217.00		R	-	R	246.00		R	-	R	274.50		R	-
F	LANDING :NO BASE – INTERMEDIATE (d/hole)	R	223.00		R	-	R	254.00		R	-	R	284.50		R	-
G	SET OF RAILS PER LINEAR METRE	R	175.00		R	-	R	203.00		R	-	R	231.00		R	-
H	Ø19mm TUBE PER LENGTH OF 6m	R	168.00		R	-	4 RAIL SYSTEM			5 RAIL SYSTEM			7 RAIL SYSTEM			
I	Ø50mm TUBE PER LENGTH OF 1m	R	91.00		R	-										

EXTRAS		COST	QTY	TOTAL
J	ADJUSTABLE BASE & COVER PLATE	R	71.00	R -
K	SIDE MOUNT BRACKET	R	102.00	R -
L	Ø50mm, 90° WELDED CORNER (sleeved)	R	88.00	R -
M	Ø50mm HINGE (nylon fiber)	R	68.00	R -
N	Ø19mm HINGE (nylon fiber)	R	17.00	R -
O	Ø19mm, 90° RADIUS BEND	R	29.00	R -
P	END STOP (nylon fiber)	R	15.00	R -
Q	WALL BRACKET	R	38.00	R -
R	Ø50mm JOINER SLEEVE	R	15.00	R -
S	Ø19mm JOINER SLEEVE	R	4.00	R -
T	HANDRAIL BRACKET & COVER WASHER	R	43.00	R -
U	COVER PLATE	R	29.50	R -
	rail to post bracket	R	46.00	R -
				R -

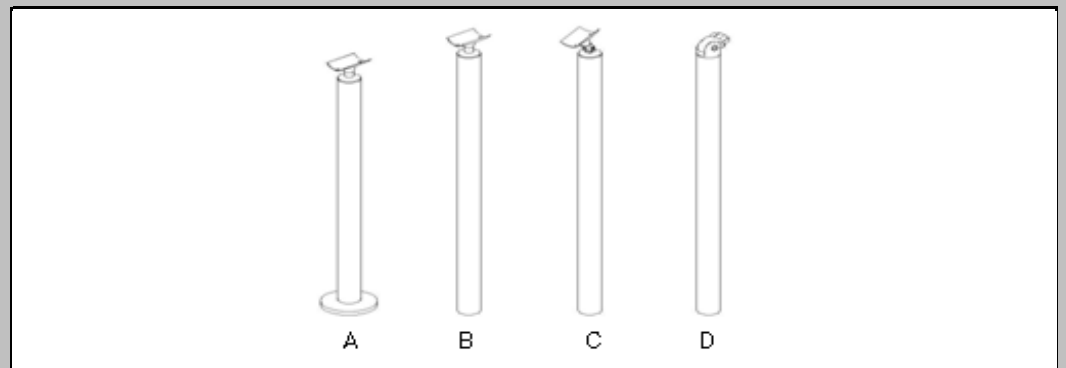
CUSTOMER DETAILS			
Name			
Phone Number			
Email & Fax			
Installation Address			
STANCHIONS, TUBING & EXTRAS			
EX VAT	R	-	14% VAT
TOTAL	R	-	-

INSTALLATION, ACCESSORIES & DELIVERY				
V	ANCHOR STUDS (set of 3) – Stainless Steel	R	15.00	R -
W	CHEMICAL ADHESIVE	R	206.00	R -
	CONTRACTOR LABOUR			
	DELIVERY			

INSTALLATION, ACCESSORIES & DELIVERY (OPTIONAL)			
EX VAT	R	-	14% VAT
TOTAL	R	-	-

STANCHION AND STAINLESS STEEL CABLE POWDER COATED

STANCHIONS & TUBING		PRICE	QTY	TOTAL
A	LANDING: WELDED BASE LANDING Handrail only	R 191.00		R -
B	LANDING: NO BASE LANDING Handrail only	R 128.00		R -
C	LANDING :NO BASE STAIRCASE INTERM Handrail only	R 157.00		R -
D	LANDING :NO BASE STAIRCASE BOT Handrail only	R 189.00		R -
E	DRILL HOLES each per side	R 4.00		R -
F	Stainless Steel 316 Cable 3mm	R 15.00		R -
G	Eyebolt and ferrule	R 28.50		R -
H				R -
I				R -
I	Ø50mm TOP RAIL TUBE (Per Metre)	R 91.00		R -



EXTRAS		COST	QTY	TOTAL
J	ADJUSTABLE BASE & COVER PLATE	R 71.00		R -
K	SIDE MOUNT BRACKET	R 102.00		R -
L	Ø50mm, 90° WELDED CORNER (sleeved)	R 88.00		R -
M	Ø50mm HINGE (nylon fiber)	R 68.00		R -
N				R -
O				R -
P	END STOP (nylon fiber)	R 15.00		R -
Q	WALL BRACKET	R 38.00		R -
R	Ø50mm JOINER SLEEVE	R 15.00		R -
S				R -
T	HANDRAIL BRACKET & COVER WASHER	R 43.00		R -
U	COVER PLATE	R 29.00		R -
				R -
				R -

CUSTOMER DETAILS	
Name	
Phone Number	
Email & Fax	
Installation Address	

INSTALLATION, ACCESSORIES & DELIVERY				
V	ANCHOR STUDS (set of 3)	R 15.00		R -
W	CHEMICAL ADHESIVE	R 206.00		R -
	CONTRACTOR LABOUR			
	DELIVERY			

STANCHIONS, TUBING & EXTRAS					
EX VAT	R	-	14% VAT	R	-
TOTAL	R	-			

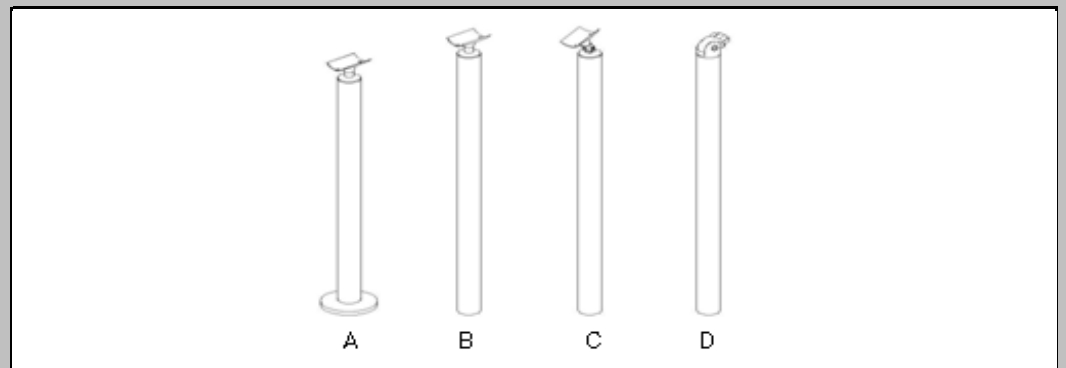
INSTALLATION, ACCESSORIES & DELIVERY (OPTIONAL)					
EX VAT	R	-	14% VAT	R	-
TOTAL	R	-			

STANCHION AND STAINLESS STEEL CABLE NATURAL ANODISED

STANCHIONS & TUBING		PRICE	QTY	TOTAL
A	LANDING: WELDED BASE LANDING Handrail only	R 182.00		R -
B	LANDING: NO BASE LANDING Handrail only	R 118.00		R -
C	STAIRCASE : NO BASE INTERMEDIATE Handrail only	R 147.00		R -
D	STAIRCASE : NO BASE BOTTOM Handrail only	R 179.00		R -
E	DRILL HOLES each per side	R 4.00		R -
F	Stainless Steel 316 Cable 3mm	R 15.00		R -
G	Eyebolt and ferrule	R 28.50		R -
H				R -
I				R -
I	Ø50mm TOP RAIL TUBE (Per Metre)	R 83.00		R -

EXTRAS		COST	QTY	TOTAL
J	ADJUSTABLE BASE & COVER PLATE	R 63.00		R -
K	SIDE MOUNT BRACKET	R 92.00		R -
L	Ø50mm, 90° WELDED CORNER (sleeved)	R 78.00		R -
M	Ø50mm HINGE (nylon fiber)	R 68.00		R -
N				R -
O				R -
P	END STOP (nylon fiber)	R 15.00		R -
Q	WALL BRACKET	R 32.00		R -
R	Ø50mm JOINER SLEEVE	R 15.00		R -
S				R -
T	HANDRAIL BRACKET & COVER WASHER	R 37.00		R -
U	COVER PLATE	R 22.00		R -
				R -
				R -

INSTALLATION, ACCESSORIES & DELIVERY				
V	ANCHOR STUDS (set of 3)	R 15.00	3	R 45.00
W	CHEMICAL ADHESIVE	R 206.00	1	R 206.00
	CONTRACTOR LABOUR			R 500.00
	DELIVERY			



CUSTOMER DETAILS	
Name	
Phone Number	
Email & Fax	
Installation Address	

STANCHIONS, TUBING & EXTRAS			
EX VAT	R	-	
14% VAT	R	-	
TOTAL	R	-	

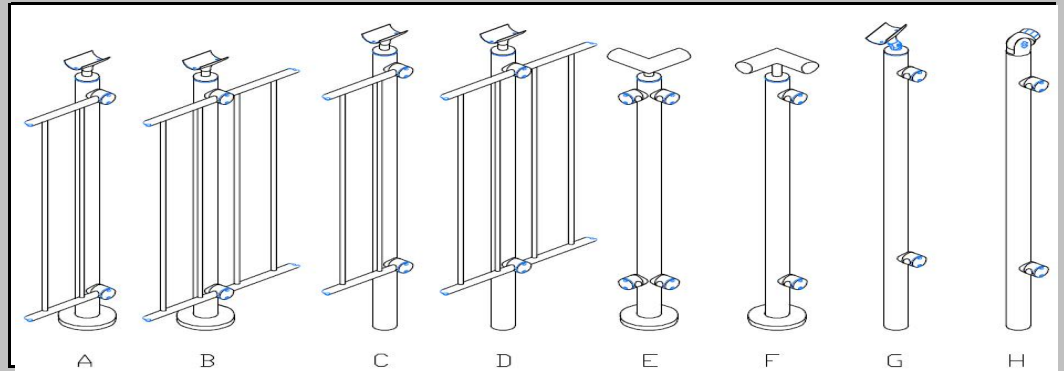
INSTALLATION, ACCESSORIES & DELIVERY (OPTIONAL)			
EX VAT	R	751.00	
14 % VAT	R	105.14	
TOTAL	R	856.14	

D.I.Y

VERTICAL DROPPER BALUSTRADING

Anodised

STANCHIONS & TUBING		PRICE	QTY	TOTAL
A	LANDING: WELDED BASE START / END (single hole)	R 230.00		R -
B	LANDING: WELDED BASE INTERMEDIATE (double hole)	R 234.00		R -
C	LANDING :NO BASE – START / END (s/hole)	R 167.00		R -
D	LANDING :NO BASE – INTERMEDIATE (d/hole)	R 171.00		R -
E	LANDING : WELDED BASE OUTSIDE CORNER	R 346.00		R -
F	LANDING : WELDED BASE INSIDE CORNER	R 290.00		R -
G	STAIRCASE :NO BASE INTERMEDIATE STEP	R 200.00		R -
H	STAIRCASE :NO BASE BOTTOM STEP	R 245.00		R -
I	VERTICAL DROPPER RACK (Per Metre)	R 295.00		R -
I	VERTICAL DROPPER RACK STAIR RAKE (Per Metre)	R 345.00		R -



EXTRAS		COST	QTY	TOTAL
J	ADJUSTABLE BASE & COVER PLATE	R 63.00		R -
K	SIDE MOUNT BRACKET	R 92.00		R -
L	Ø50mm, 90° WELDED CORNER (sleeved)	R 78.00		R -
M	Ø50mm HINGE (nylon fiber)	R 68.00		R -
N	Ø19mm HINGE (nylon fiber)	R 17.00		R -
O	RACK TO RACK INSIDE CORNER JOINER	R 22.00		R -
P	END STOP (nylon fiber)	R 15.00		R -
Q	WALL BRACKET	R 32.00		R -
R	Ø50mm JOINER SLEEVE	R 15.00		R -
S	Ø19mm JOINER SLEEVE	R 4.00		R -
T	HANDRAIL BRACKET & COVER WASHER	R 37.00		R -
U	TOP RAIL 50mm	R 83.00		R -
Y	RACK TO RACK INSIDE CORNER JOINER Adjustable	R 39.00		R -
				R -

CUSTOMER DETAILS	
Name	
Phone Number	
Email & Fax	
Installation Address	

INSTALLATION, ACCESSORIES & DELIVERY				
V	ANCHOR STUDS (set of 3)	R 15.00		R -
W	CHEMICAL ADHESIVE	R 206.00		R -
	CONTRACTOR LABOUR			
	DELIVERY			

STANCHIONS, TUBING & EXTRAS					
EX VAT	R	-	14% VAT	R	-
TOTAL			R	-	

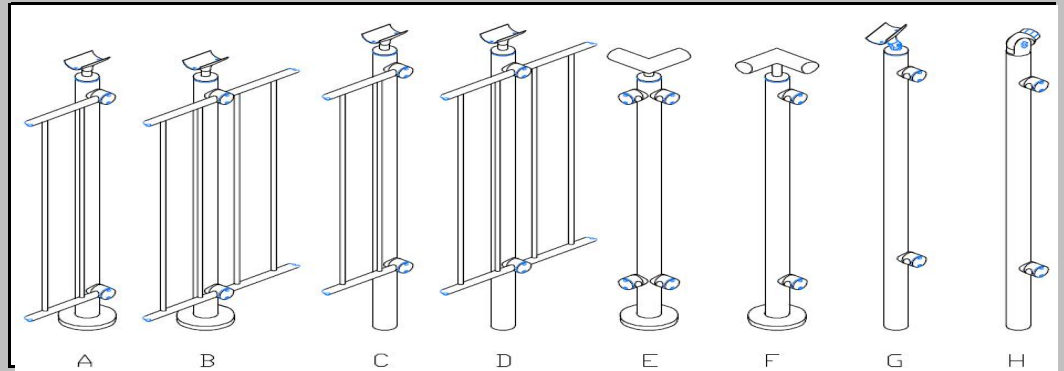
INSTALLATION, ACCESSORIES & DELIVERY (OPTIONAL)					
EX VAT	R	-	14% VAT	R	-
TOTAL			R	-	

D.I.Y

VERTICAL DROPPER BALUSTRADING

Black / White / Bronze

STANCHIONS & TUBING		PRICE	QTY	TOTAL
A	LANDING: WELDED BASE START / END (single hole)	R 252.00		R -
B	LANDING: WELDED BASE INTERMEDIATE (double hole)	R 256.00		R -
C	LANDING :NO BASE – START / END (s/hole) extended 1.3	R 188.00		R -
D	LANDING :NO BASE – INTERMEDIATE (d/hole)	R 179.00		R -
E	LANDING : WELDED BASE OUTSIDE CORNER	R 376.00		R -
F	LANDING : WELDED BASE INSIDE CORNER	R 319.00		R -
G	STAIRCASE :NO BASE INTERMEDIATE STEP	R 216.00		R -
H	STAIRCASE :NO BASE BOTTOM STEP	R 263.00		R -
I	VERTICAL DROPPER RACK (Per Metre)	R 365.00		R -
I	VERTICAL DROPPER RACK STAIR RAKE (Per Metre)	R 410.00		R -



EXTRAS		COST	QTY	TOTAL
J	ADJUSTABLE BASE & COVER PLATE	R 71.00		R -
K	SIDE MOUNT BRACKET	R 102.00		R -
L	Ø50mm, 90° WELDED CORNER (sleeved)	R 88.00		R -
M	Ø50mm HINGE (nylon fiber)	R 68.00		R -
N	Ø19mm HINGE (nylon fiber)	R 17.00		R -
O	RACK TO RACK INSIDE CORNER JOINER	R 29.00		R -
P	END STOP (nylon fiber)	R 15.00		R -
Q	WALL BRACKET	R 38.00		R -
R	Ø50mm JOINER SLEEVE	R 15.00		R -
S	Ø19mm JOINER SLEEVE	R 4.00		R -
T	HANDRAIL BRACKET & COVER WASHER	R 43.00		R -
U	TOP RAIL 50mm	R 91.00		R -
Y	RACK TO RACK INSIDE CORNER JOINER Adjustable	R 46.00		R -
	Gate R610 + rack R365 + Rail holders @ R30	#####		R -

CUSTOMER DETAILS	
Name	
Phone Number	
Email & Fax	
Installation Address	

INSTALLATION, ACCESSORIES & DELIVERY				
V	ANCHOR STUDS (set of 3)	R 15.00		R -
W	CHEMICAL ADHESIVE	R 206.00		R -
	CONTRACTOR LABOUR			
	DELIVERY			

STANCHIONS, TUBING & EXTRAS					
EX VAT	R	-	14% VAT	R	-
TOTAL	R	-			

INSTALLATION, ACCESSORIES & DELIVERY (OPTIONAL)					
EX VAT	R	-	14 % VAT	R	-
TOTAL	R	-			