

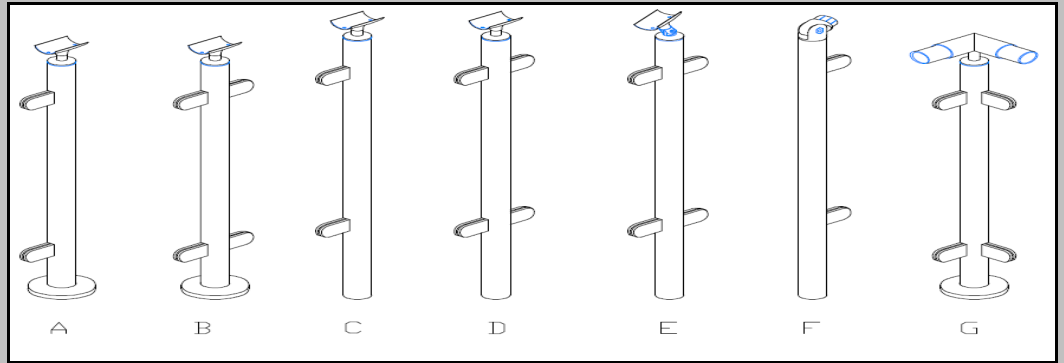
D.I.Y

SUSPENDED GLASS BALUSTRADING

POWDER COATED

(Black / White / Bronze / Charcoal)

STANCHIONS & TUBING		PRICE	QTY	TOTAL
A	LANDING: WELDED BASE START / END (2 clamps)	R 362.00		R -
B	LANDING: WELDED BASE INTERMEDIATE (4 clamps)	R 524.00		R -
C	LANDING :NO BASE – START / END (2 clamps)	R 293.00		R -
D	LANDING :NO BASE – INTERMEDIATE (4 clamps)	R 439.00		R -
E	STAIRCASE :NO BASE INTERMEDIATE (4 clamps)	R 470.00		R -
F	STAIRCASE :NO BASE BOTTOM STEP (2 clamps)	R 345.00		R -
G	CNR 90 Deg welded (4 clamps)	R 595.00		R -
H	CNR Hinged Vaiable (4 clamps)	R 555.00		R -
I	50mm Top rail tube (Per meter)	R 114.00		R -
y	Stair case top step (2 clamps)	R 345.00		R -



EXTRAS		COST	QTY	TOTAL
J	ADJUSTABLE BASE & COVER PLATE	R 78.00		R -
K	SIDE MOUNT BRACKET	R 108.00		R -
L	Ø50mm, 90° WELDED CORNER (sleeved)	R 92.00		R -
M	Ø50mm HINGE (nylon fiber)	R 78.00		R -
N	Top Rail 38 x76	R 132.00		R -
O				R -
P	END STOP (nylon fiber)	R 18.00		R -
Q	WALL BRACKET	R 38.00		R -
R	Ø50mm JOINER SLEEVE	R 15.00		R -
S	Ø19mm JOINER SLEEVE	R 4.00		R -
T	HANDRAIL BRACKET & COVER WASHER	R 47.00		R -
U	COVER PLATE	R 29.00		R -
X	Handrail to stanchion Bracket	R 48.00		R -
	Gate	R 950.00		R -

CUSTOMER DETAILS	
Name	
Phone Number	
Email & Fax	
Installation Address	

STANCHIONS, TUBING & EXTRAS			
EX VAT	R	-	
14% VAT	R	-	
TOTAL	R	-	

INSTALLATION, ACCESSORIES & DELIVERY				
V	ANCHOR STUDS (set of 3)	R 16.50		R -
W	CHEMICAL ADHESIVE	R 216.00		R -
	CONTRACTOR LABOUR			
	DELIVERY			

INSTALLATION, ACCESSORIES & DELIVERY (OPTIONAL)			
EX VAT	R	-	
14% VAT	R	-	
TOTAL	R	-	

D.I.Y

BALUSTRADING - HORIZONTAL RAILS

NATURAL ANODISED

STANCHIONS & TUBING		3 RAILS	QTY	TOTAL
A	LANDING : START / END (single hole)	R 269.00		R -
B	LANDING : INTERMEDIATE (double hole)	R 275.00		R -
C	STAIRCASE :NO BASE INTERMEDIATE (d/hole)	R 250.00		R -
D	STAIRCASE :NO BASE BOTTOM STEP (s/hole)	R 269.00		R -
E	LANDING :NO BASE – START / END (s/hole)	R 226.00		R -
F	LANDING :NO BASE – INTERMEDIATE (d/hole)	R 232.00		R -
G	SET OF RAILS PER LINEAR METRE	R 181.00		R -
H	Ø19mm TUBE PER LENGTH OF 6m	R 156.00		R -
I	Ø50mm TUBE PER LENGTH OF 1m	R 103.00		R -

4 RAILS	QTY	TOTAL
R 292.00		R -
R 300.00		R -
R 275.00		R -
R 292.00		R -
R 249.00		R -
R 257.00		R -
R 207.00		R -
4 RAIL SYSTEM		

5 RAILS	QTY	TOTAL
R 315.00		R -
R 325.00		R -
R 300.00		R -
R 315.00		R -
R 272.00		R -
R 282.00		R -
R 233.00		R -
5 RAIL SYSTEM		

7 RAILS	QTY	TOTAL
R 361.00		R -
R 375.00		R -
R 350.00		R -
R 361.00		R -
R 318.00		R -
R 332.00		R -
R 285.00		R -
7 RAIL SYSTEM		

EXTRAS	COST	QTY	TOTAL
J ADJUSTABLE BASE & COVER PLATE	R 72.00		R -
K SIDE MOUNT BRACKET	R 98.00		R -
L Ø50mm, 90° WELDED CORNER (sleeved)	R 84.00		R -
M Ø50mm HINGE (nylon fiber)	R 78.00		R -
N Ø19mm HINGE (nylon fiber)	R 18.00		R -
O Ø19mm, 90° RADIUS BEND	R 22.00		R -
P END STOP (nylon fiber)	R 18.00		R -
Q WALL BRACKET	R 32.00		R -
R Ø50mm JOINER SLEEVE	R 15.00		R -
S Ø19mm JOINER SLEEVE	R 4.00		R -
T HANDRAIL BRACKET & COVER WASHER	R 42.00		R -
U COVER PLATE	R 24.00		R -
z Plate and pin to top rail bracket	R 48.00		R -
x Handrail to Stanchion bracket	R 48.00		R -

CUSTOMER DETAILS	
Name	
Phone Number	
Email & Fax	
Installation Address	

STANCHIONS, TUBING & EXTRAS

EX VAT	R	-	14% VAT	R	-	TOTAL	R	-
--------	---	---	---------	---	---	-------	---	---

INSTALLATION, ACCESSORIES & DELIVERY			
V ANCHOR STUDS (set of 3)	R 16.50		R -
W CHEMICAL ADHESIVE	R 216.00		R -
CONTRACTOR LABOUR			
DELIVERY			

INSTALLATION, ACCESSORIES & DELIVERY (OPTIONAL)

EX VAT	R	-	14 % VAT	R	-	TOTAL	R	-
--------	---	---	----------	---	---	-------	---	---

D.I.Y

BALUSTRADING - HORIZONTAL RAILS

POWDER COATED

(Black / White / Bronze / Charcoal)

STANCHIONS & TUBING		3 RAILS	QTY	TOTAL
A	LANDING : START / END (single hole)	R 309.00		R -
B	LANDING : INTERMEDIATE (double hole)	R 315.00		R -
C	STAIRCASE :NO BASE INTERMEDIATE(d/hole)	R 282.00		R -
D	STAIRCASE :NO BASE BOTTOM STEP (s/hole)	R 299.00		R -
E	LANDING :NO BASE – START / END (s/hole)	R 258.00		R -
F	LANDING :NO BASE – INTERMEDIATE (d/hole)	R 264.00		R -
G	SET OF RAILS PER LINEAR METRE	R 210.00		R -
H	Ø19mm TUBE PER LENGTH OF 6m	R 192.00		R -
I	Ø50mm TUBE PER LENGTH OF 1m	R 114.00		R -

4 RAILS	QTY	TOTAL
R 335.00		R -
R 343.00		R -
R 310.00		R -
R 325.00		R -
R 284.00		R -
R 292.00		R -
R 242.00		R -

5 RAILS	QTY	TOTAL
R 361.00		R -
R 371.00		R -
R 338.00		R -
R 351.00		R -
R 310.00		R -
R 320.00		R -
R 274.00		R -

7 RAILS	QTY	TOTAL
R 413.00		R -
R 427.00		R -
R 394.00		R -
R 403.00		R -
R 362.00		R -
R 376.00		R -
R 338.00		R -

4 RAIL SYSTEM

5 RAIL SYSTEM

7 RAIL SYSTEM

EXTRAS		COST	QTY	TOTAL
J	ADJUSTABLE BASE & COVER PLATE	R 78.00		R -
K	SIDE MOUNT BRACKET	R 108.00		R -
L	Ø50mm, 90° WELDED CORNER (sleeved)	R 92.00		R -
M	Ø50mm HINGE (nylon fiber)	R 78.00		R -
N	Ø19mm HINGE (nylon fiber)	R 18.00		R -
O	Ø19mm, 90° RADIUS BEND	R 29.00		R -
P	END STOP (nylon fiber)	R 18.00		R -
Q	WALL BRACKET	R 38.00		R -
R	Ø50mm JOINER SLEEVE	R 15.00		R -
S	Ø19mm JOINER SLEEVE	R 4.00		R -
T	HANDRAIL BRACKET & COVER WASHER	R 47.00		R -
U	COVER PLATE	R 29.00		R -
	GATE R610 +R90 x no rails	R 900.00		R -
x				R -

CUSTOMER DETAILS	
Name	
Phone Number	
Email & Fax	
Installation Address	

STANCHIONS, TUBING & EXTRAS			
EX VAT	R	-	TOTAL
			R -

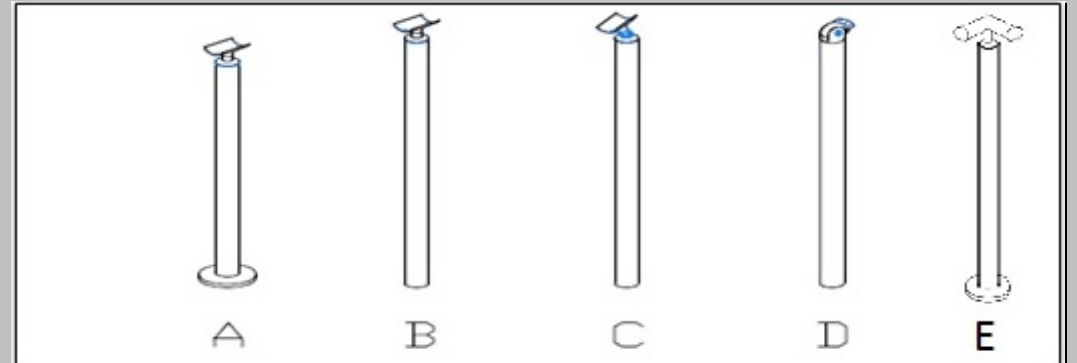
--	--	--

INSTALLATION, ACCESSORIES & DELIVERY (OPTIONAL)			
EX VAT	R	-	TOTAL
			R -

INSTALLATION, ACCESSORIES & DELIVERY				
V	ANCHOR STUDS (set of 3) – Stainless Steel	R 16.50		R -
W	CHEMICAL ADHESIVE	R 216.00		R -
	CONTRACTOR LABOUR			
	DELIVERY			

STANCHION AND STAINLESS STEEL CABLE POWDER COATED

STANCHIONS & TUBING		PRICE	QTY	TOTAL
A	LANDING: WELDED BASE LANDING Handrail only	R 231.00		R -
B	LANDING: NO BASE LANDING Handrail only	R 180.00		R -
C	LANDING :NO BASE STAIRCASE INTERM Handrail only	R 195.00		R -
D	LANDING :NO BASE STAIRCASE BOT Handrail only	R 235.00		R -
E	CNR Stanchion	R 320.00		R -
F	Stainless Steel 316 Cable 3mm	R 15.00		R -
G	Eyebolt and ferrule	R 28.50		R -
H	Drill Holes	R 4.00		R -
I				R -
I	Ø50mm TOP RAIL TUBE (Per Metre)	R 114.00		R -



EXTRAS		COST	QTY	TOTAL
J	ADJUSTABLE BASE & COVER PLATE	R 78.00		R -
K	SIDE MOUNT BRACKET	R 108.00		
L	Ø50mm, 90° WELDED CORNER (sleeved)	R 92.00		R -
M	Ø50mm HINGE (nylon fiber)	R 78.00		R -
N				R -
O	Cnr Stanchion cable guides	R 28.00		R -
P	END STOP (nylon fiber)	R 18.00		R -
Q	WALL BRACKET	R 38.00		R -
R	Ø50mm JOINER SLEEVE	R 15.00		R -
S	Cable Extention pin for stairs	R 24.00		R -
T	HANDRAIL BRACKET & COVER WASHER	R 47.00		R -
U	COVER PLATE	R 29.00		R -
				R -
				R -

CUSTOMER DETAILS	
Name	
Phone Number	
Email & Fax	
Installation Address	

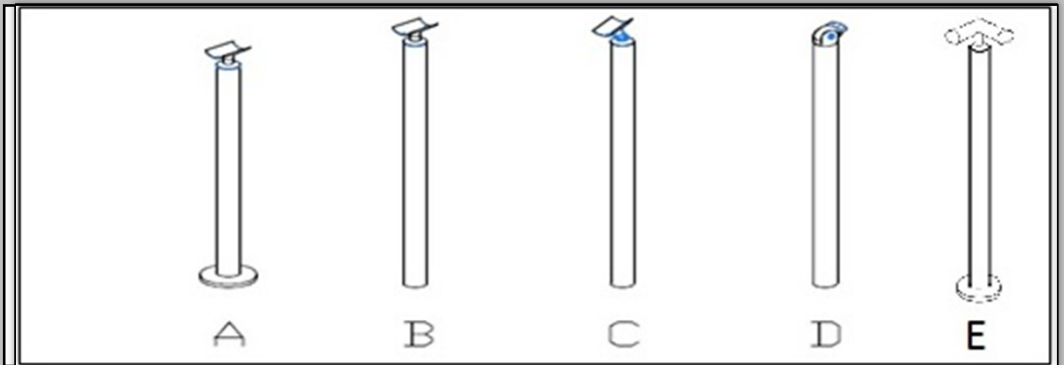
STANCHIONS, TUBING & EXTRAS			
EX VAT	R -	14% VAT	R -
TOTAL	R -		

INSTALLATION, ACCESSORIES & DELIVERY				
V	ANCHOR STUDS (set of 3)	R 16.50		R -
W	CHEMICAL ADHESIVE	R 216.00		R -
	CONTRACTOR LABOUR			
	DELIVERY			

INSTALLATION, ACCESSORIES & DELIVERY (OPTIONAL)			
EX VAT	R -	14% VAT	R -
TOTAL	R -		

STANCHION AND STAINLESS STEEL CABLE NATURAL ANODISED

STANCHIONS & TUBING		PRICE	QTY	TOTAL
A	LANDING: WELDED BASE LANDING Handrail only	R 200.00		R -
B	LANDING: NO BASE LANDING Handrail only	R 157.00		R -
C	STAIRCASE : NO BASE INTERMEDIATE Handrail only	R 172.00		R -
D	STAIRCASE : NO BASE BOTTOM Handrail only	R 212.00		R -
E	CNR Stanchion	R 284.00		R -
F	Stainless Steel 316 Cable 3mm	R 15.00		R -
G	Eyebolt and ferrule	R 28.50		R -
H	Drill Holes	R 4.00		R -
I				R -
I	Ø50mm TOP RAIL TUBE (Per Metre)	R 103.00		R -



EXTRAS		COST	QTY	TOTAL
J	ADJUSTABLE BASE & COVER PLATE	R 72.00		R -
K	SIDE MOUNT BRACKET	R 98.00		R -
L	Ø50mm, 90° WELDED CORNER (sleeved)	R 84.00		R -
M	Ø50mm HINGE (nylon fiber)	R 78.00		R -
N				R -
O	Cnr Stanchion cable guides	R 28.00		R -
P	END STOP (nylon fiber)	R 18.00		R -
Q	WALL BRACKET	R 32.00		R -
R	Ø50mm JOINER SLEEVE	R 15.00		R -
S	Cable extention pin for stairs	R 35.00		R -
T	HANDRAIL BRACKET & COVER WASHER	R 42.00		R -
U	COVER PLATE	R 24.00		R -
				R -
	Gate Frame R160 per m perimeter + holes, tensioners			R -

INSTALLATION, ACCESSORIES & DELIVERY				
V	ANCHOR STUDS (set of 3)	R 16.50		R -
W	CHEMICAL ADHESIVE	R 216.00		R -
	CONTRACTOR LABOUR			
	DELIVERY			

CUSTOMER DETAILS

Name		
Phone Number		
Email & Fax		
Installation Address		

EX VAT	R -	14% VAT	R -	TOTAL	R -
---------------	-----	----------------	-----	--------------	-----

INSTALLATION, ACCESSORIES & DELIVERY (OPTIONAL)		
---	--	--

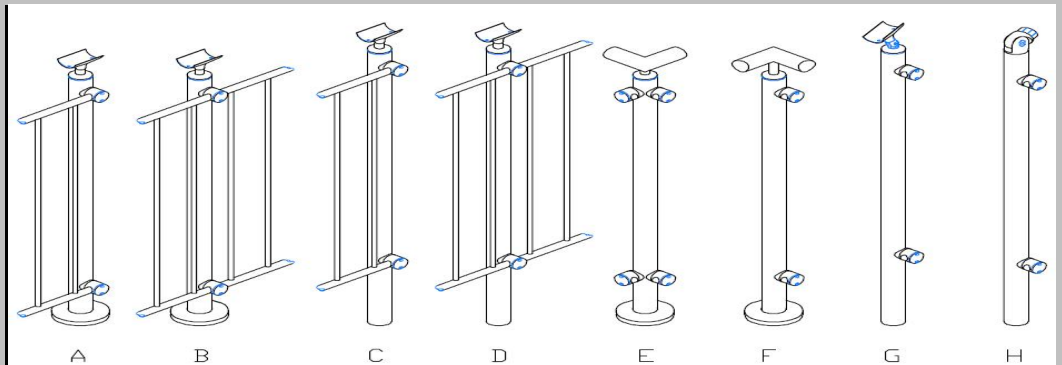
EX VAT	R -	14 % VAT	R -	TOTAL	R -
---------------	-----	-----------------	-----	--------------	-----

D.I.Y

VERTICAL DROPPER BALUSTRADING

Anodised

STANCHIONS & TUBING		PRICE	QTY	TOTAL
A	LANDING: WELDED BASE START / END (single hole)	R 246.00		R -
B	LANDING: WELDED BASE INTERMEDIATE (double hole)	R 250.00		R -
C	LANDING :NO BASE – START / END (s/hole)	R 203.00		R -
D	LANDING :NO BASE – INTERMEDIATE (d/hole)	R 207.00		R -
E	LANDING : WELDED BASE OUTSIDE CORNER	R 376.00		R -
F	LANDING : WELDED BASE INSIDE CORNER	R 330.00		R -
G	STAIRCASE :NO BASE INTERMEDIATE STEP	R 221.00		R -
H	STAIRCASE :NO BASE BOTTOM STEP	R 245.00		R -
I	VERTICAL DROPPER RACK (Per Metre)	R 295.00		R -
I	VERTICAL DROPPER RACK STAIR RAKE (Per Metre)	R 345.00		R -



EXTRAS		COST	QTY	TOTAL
J	ADJUSTABLE BASE & COVER PLATE	R 72.00		R -
K	SIDE MOUNT BRACKET	R 98.00		R -
L	Ø50mm, 90° WELDED CORNER (sleeved)	R 84.00		R -
M	Ø50mm HINGE (nylon fiber)	R 78.00		R -
N	Ø19mm HINGE (nylon fiber)	R 18.00		R -
O	RACK TO RACK INSIDE CORNER JOINER	R 22.00		R -
P	END STOP (nylon fiber)	R 18.00		R -
Q	WALL BRACKET	R 32.00		R -
R	Ø50mm JOINER SLEEVE	R 15.00		R -
S	Ø19mm JOINER SLEEVE	R 4.00		R -
T	HANDRAIL BRACKET & COVER WASHER	R 42.00		R -
U	TOP RAIL 50mm	R 103.00		R -
Y	rolling	R 65.00		R -
				R -

CUSTOMER DETAILS	
Name	
Phone Number	
Email & Fax	
Installation Address	

STANCHIONS, TUBING & EXTRAS			
EX VAT	R	-	
14% VAT	R	-	
TOTAL	R	-	

INSTALLATION, ACCESSORIES & DELIVERY				
V	ANCHOR STUDS (set of 3)	R 16.50		R -
W	CHEMICAL ADHESIVE	R 216.00		R -
	CONTRACTOR LABOUR			
	DELIVERY			

INSTALLATION, ACCESSORIES & DELIVERY (OPTIONAL)			
EX VAT	R	-	
14% VAT	R	-	
TOTAL	R	-	

D.I.Y

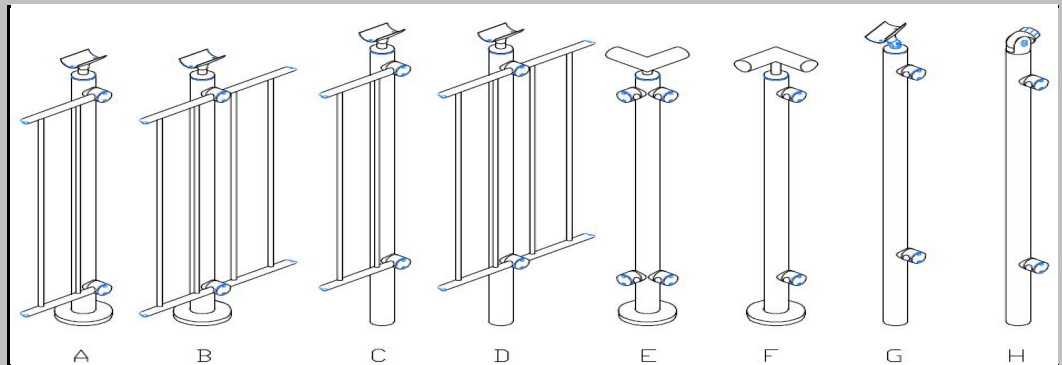
VERTICAL DROPPER BALUSTRADING

Black / White / Bronze / Charcoal

STANCHIONS & TUBING		PRICE	QTY	TOTAL
A	LANDING: WELDED BASE START / END (single hole)	R 283.00		R -
B	LANDING: WELDED BASE INTERMEDIATE (double hole)	R 287.00		R -
C	LANDING :NO BASE – START / END (s/hole) extended 1	R 232.00		R -
D	LANDING :NO BASE – INTERMEDIATE (d/hole)	R 236.00		R -
E	LANDING : WELDED BASE OUTSIDE CORNER	R 427.00		R -
F	LANDING : WELDED BASE INSIDE CORNER	R 375.00		R -
G	STAIRCASE :NO BASE INTERMEDIATE STEP	R 250.00		R -
H	STAIRCASE :NO BASE BOTTOM STEP	R 264.00		R -
I	VERTICAL DROPPER RACK (Per Metre)	R 365.00		R -
I	VERTICAL DROPPER RACK STAIR RAKE (Per Metre)	R 410.00		R -

EXTRAS		COST	QTY	TOTAL
J	ADJUSTABLE BASE & COVER PLATE	R 78.00		R -
K	SIDE MOUNT BRACKET	R 108.00		R -
L	Ø50mm, 90° WELDED CORNER (sleeved)	R 92.00		R -
M	Ø50mm HINGE (nylon fiber)	R 78.00		R -
N	Ø19mm HINGE (nylon fiber)	R 18.00		R -
O	RACK TO RACK INSIDE CORNER JOINER	R 29.00		R -
P	END STOP (nylon fiber)	R 18.00		R -
Q	WALL BRACKET	R 38.00		R -
R	Ø50mm JOINER SLEEVE	R 15.00		R -
S	Ø19mm JOINER SLEEVE	R 4.00		R -
T	HANDRAIL BRACKET & COVER WASHER	R 50.00		R -
U	TOP RAIL 50mm	R 114.00		R -
Y	Rolling	R 85.00		R -
	Gate R610 + rack R365 + Rail holders @ R30	R 1 095.00		R -

INSTALLATION, ACCESSORIES & DELIVERY			
V	ANCHOR STUDS (set of 3)	R 16.50	R -
W	CHEMICAL ADHESIVE	R 216.00	R -
	CONTRACTOR LABOUR		
	DELIVERY		



CUSTOMER DETAILS		
Name		
Phone Number		
Email & Fax		
Installation Address		

STANCHIONS, TUBING & EXTRAS								
EX VAT	R	-	14% VAT	R	-	TOTAL	R	-

EX VAT	R	-	14% VAT	R	-	TOTAL	R	-
---------------	---	---	----------------	---	---	--------------	---	---